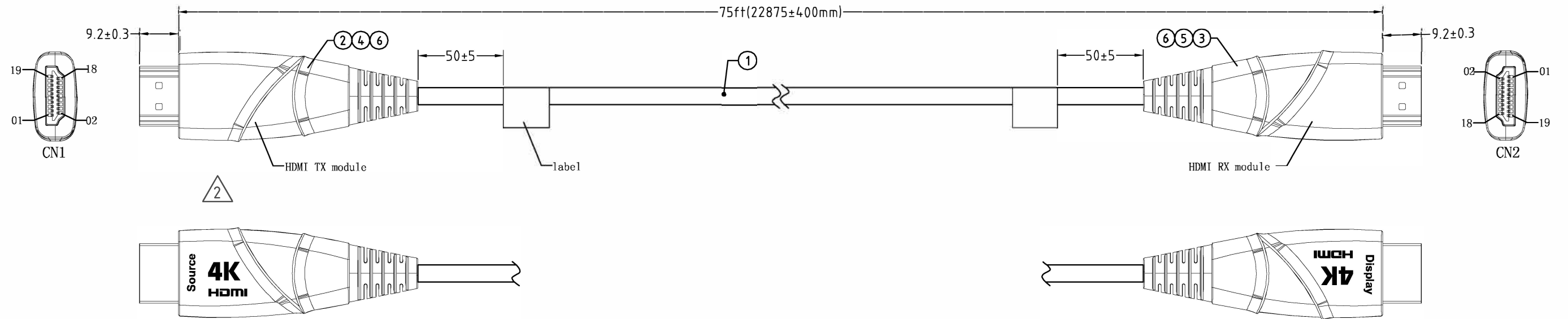


NOTE: ALL MATERIAL COMPLIANT ROHS STANDARD

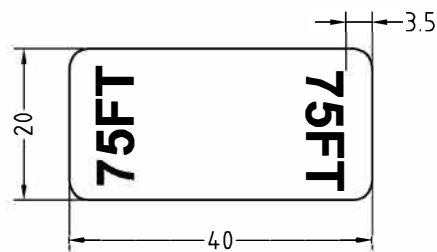
REVISION INFORMATION

Rev.	Rev. Date	Modified By	Brief Description
1.0	2020/10/12	Darrick	Change Label
2.0	2022/03/30	Hypo	Change Label.Module

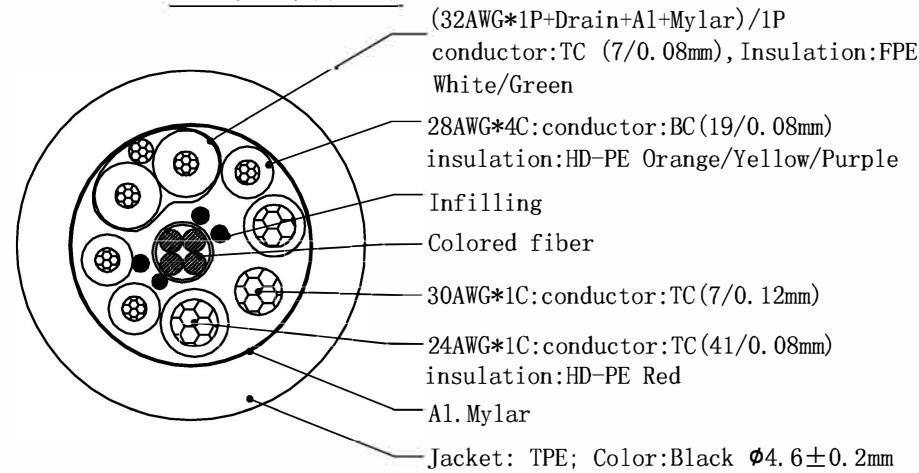


"4K"
Radium carving: Hind Bold

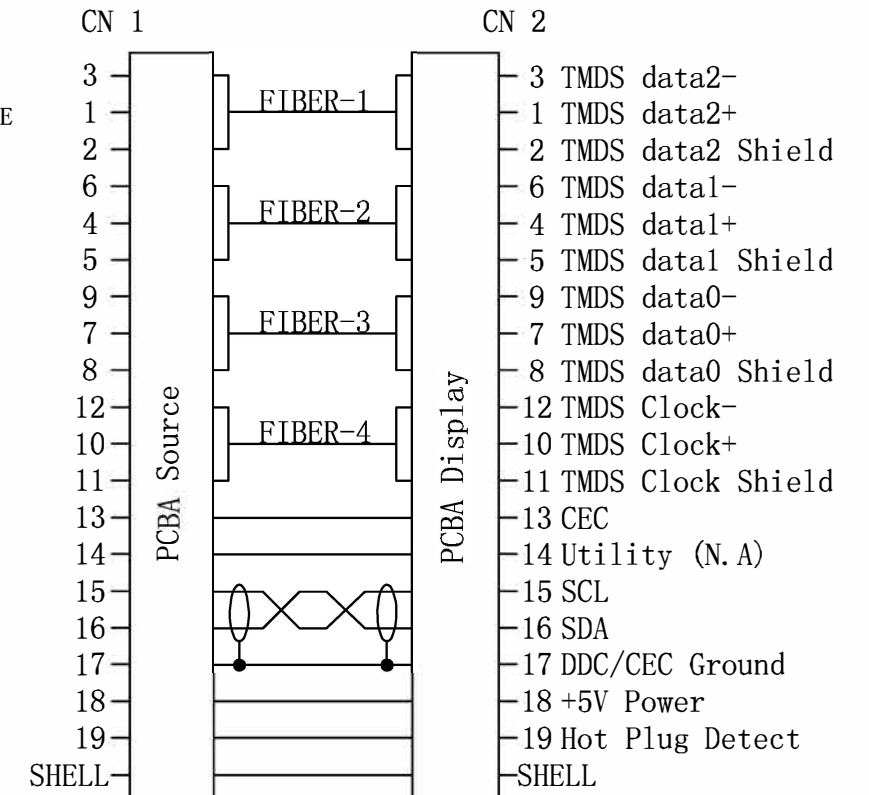
Size: 40×20mm
Typeface: Arial



Wire Details



PIN ASSIGNMENT



NOTE:

- ELECTRICAL TEST: (100% real machine transmission test)
 - SOUCE "meets HDMI TX module, stands for firing."
 - Display "meets HDMI RX module, stands for receive."
 - 100% by 2160P (3840*2160 60HZ) 4:4:4 (YCBCR)
 - Support HDCP2.2; ARC, HEAC; 3D
 - Maximum transmission bandwidth 18Gbps
2. RoHS+REACH Compliant;
3. LSZH Jacket

NO.	PART NAME	SPECIFICATION DESCRIPTION	QTY	UNIT
⑥	Overmold	PVC, black		
⑤	Zinc alloy shell	HDMI AM upper and lower zinc alloy shell, radium carving, "HDMI", "4K", "Display"		
④	Zinc alloy shell	HDMI AM upper and lower zinc alloy shell, radium carving, "HDMI", "4K", "Source"		
③	HDMI RX module	HDMI AM RX receiver module, HDMI gold-plated copper plated connector terminal with pad PCB		
②	HDMI TX module	HDMI AM TX transmitter module, HDMI gold-plated copper plated connector terminal with pad PCB		
①	Cable	(Fiber x 4C) x 1C + (30#TA x 1P + D + A) x 1C + 30#TA x 4C + 26#TA x 1C + F + A Jacket: TPE (LSZH) OD 4.7mm		

Unless specified on the drawing, tolerances are per the follows:

.x	+1
.x	+0.2
.xx	+0.05

LANshack

Sales@LANshack.com | 888-568-1230

DRAWN BY	DATE: 2020/03/30	DESCRIPTION: HDMI Active optical cable
CHECKED BY	SHEET 1 of 2	ITEM NO. LS-A0HC-4K18G-LSZH-XX
APPROVED BY	SCALE None	REV. 2.0 UNIT: mm